

RICOH

COLOR SERVER FIERY 150i/200i
AND
INTERFACE KIT TYPE A
PARTS CATALOG

First Edition Oct 1994

RICOH COMPANY, LTD.

PARTS CATALOG

INTRODUCTION

This chapter instructs you the numbers and names of parts on this machine and the kit.

INDEX to PARTS CATALOG

(A583)

**FIERY 150i/200i
CONTROLLER INTERFACE KIT TYPE A**

**COLOR SERVER FIERY 150i/200i
CONTROLLER INTERFACE KIT TYPE A
(A583)**

PARTS CATALOG

INTRODUCTION

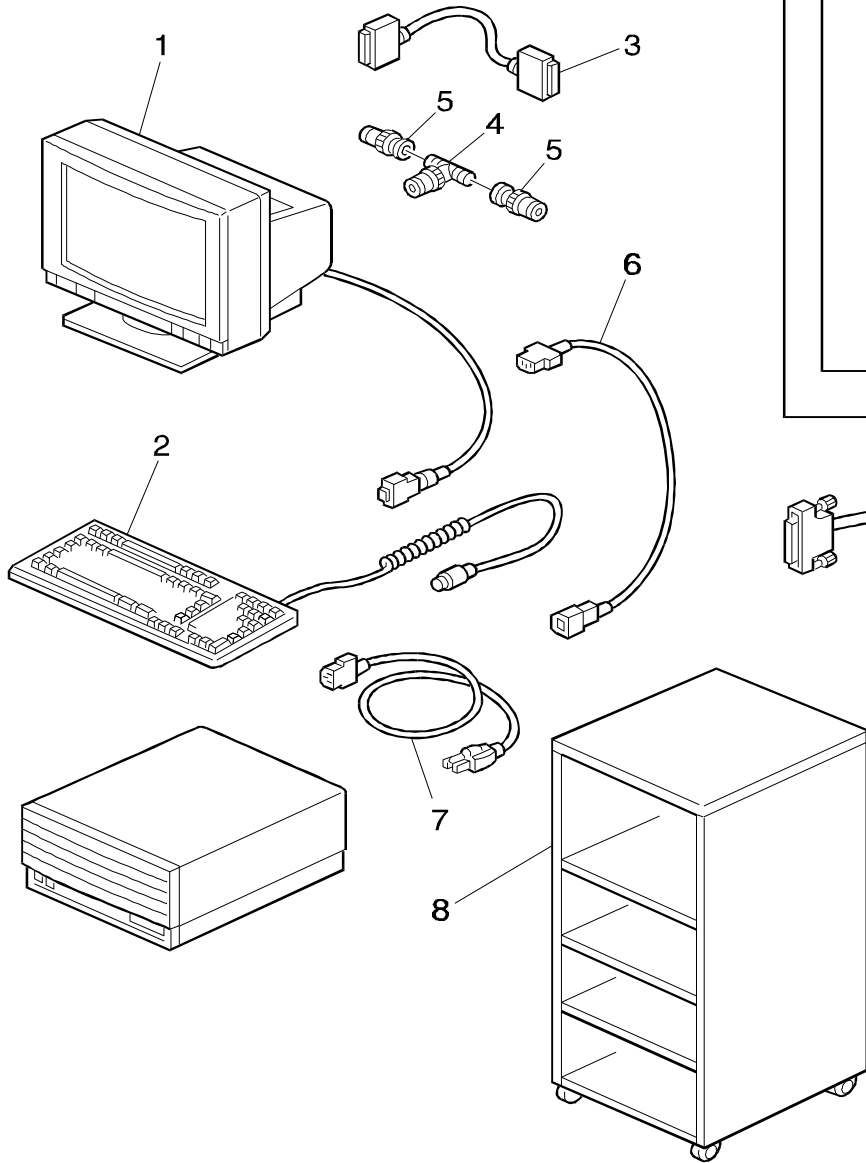
This chapter instructs you the numbers and names of parts on this machine.

INDEX to PARTS CATALOG

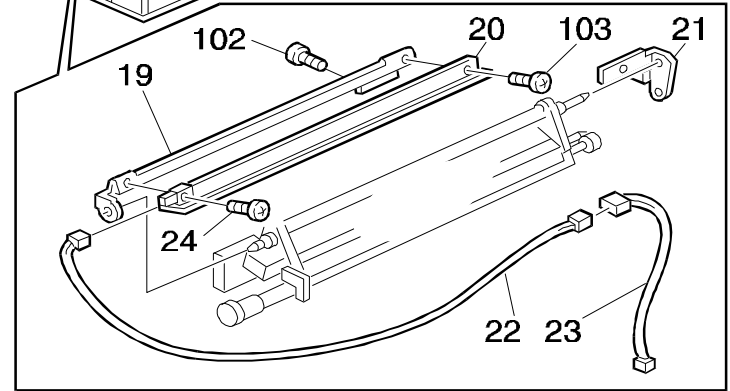
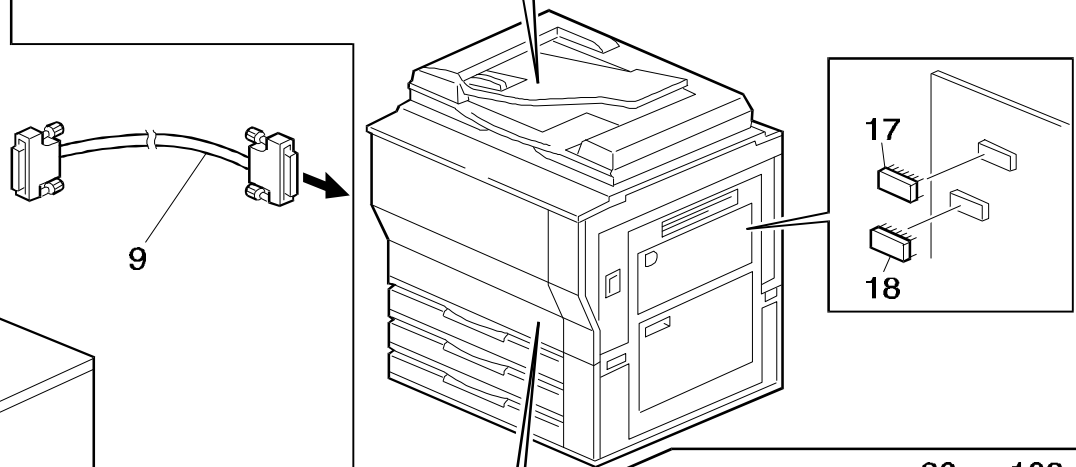
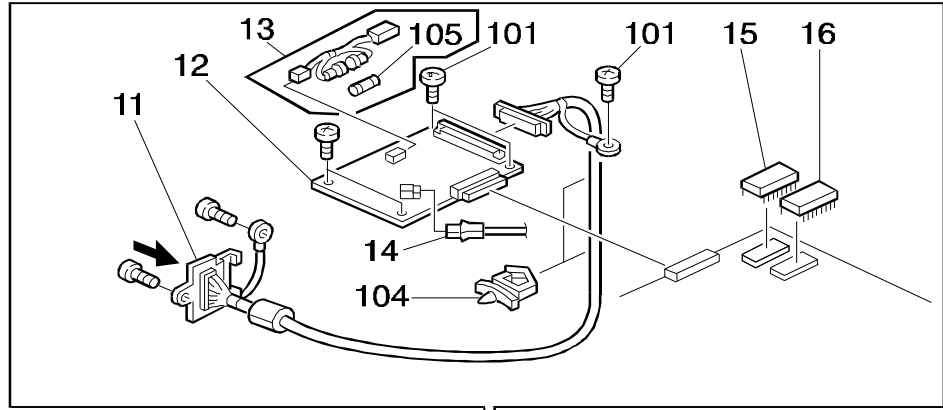
1.EXTERIOR AND INTERFACE KIT (A583)	2
PARTS INDEX.....	13

1. EXTERIOR AND INTERFACE KIT (A583)

[FIERY]



[INTERFACE KIT]

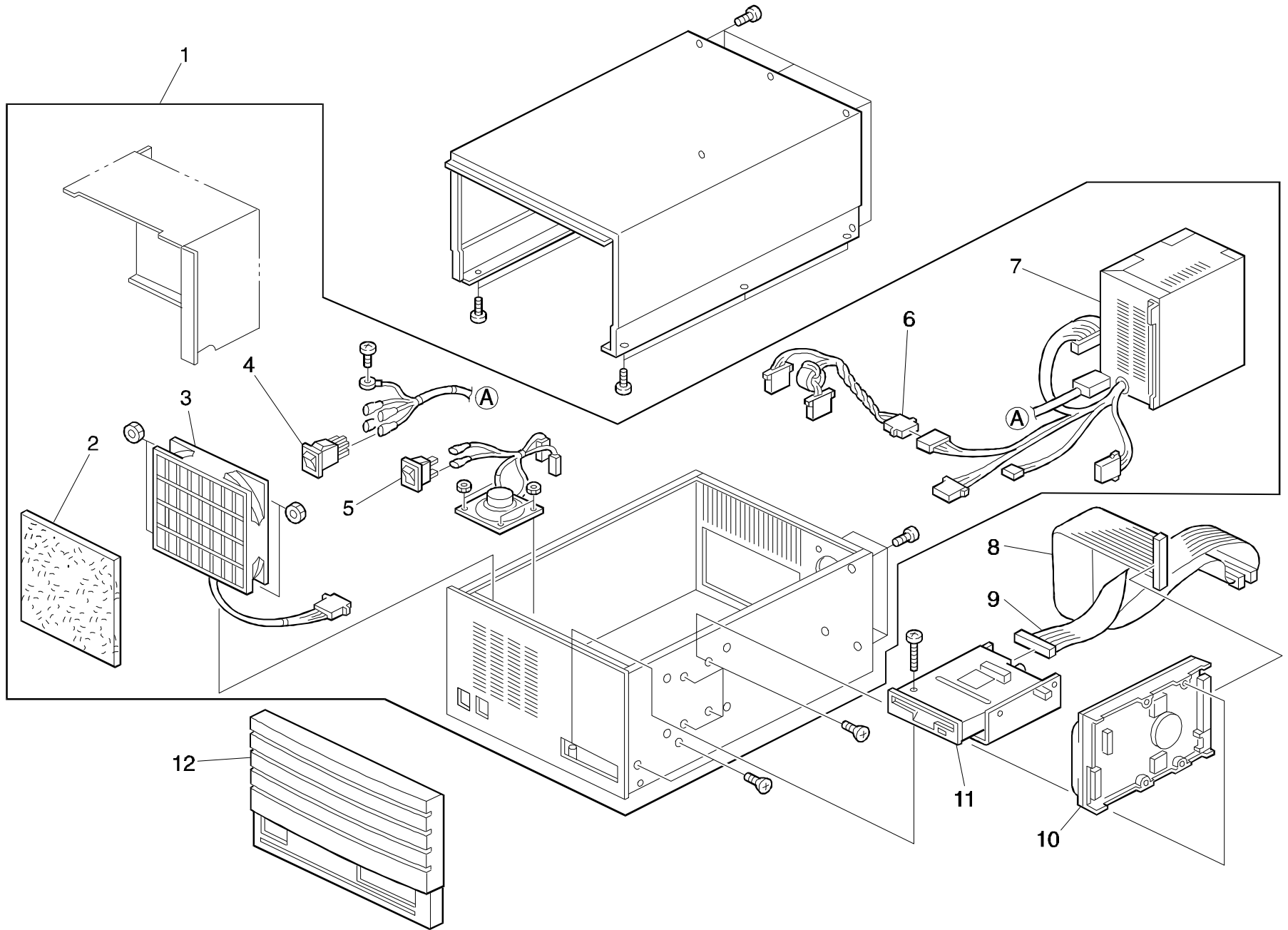


1. EXTERIOR (A583-90) AND INTERFACE KIT (A583)

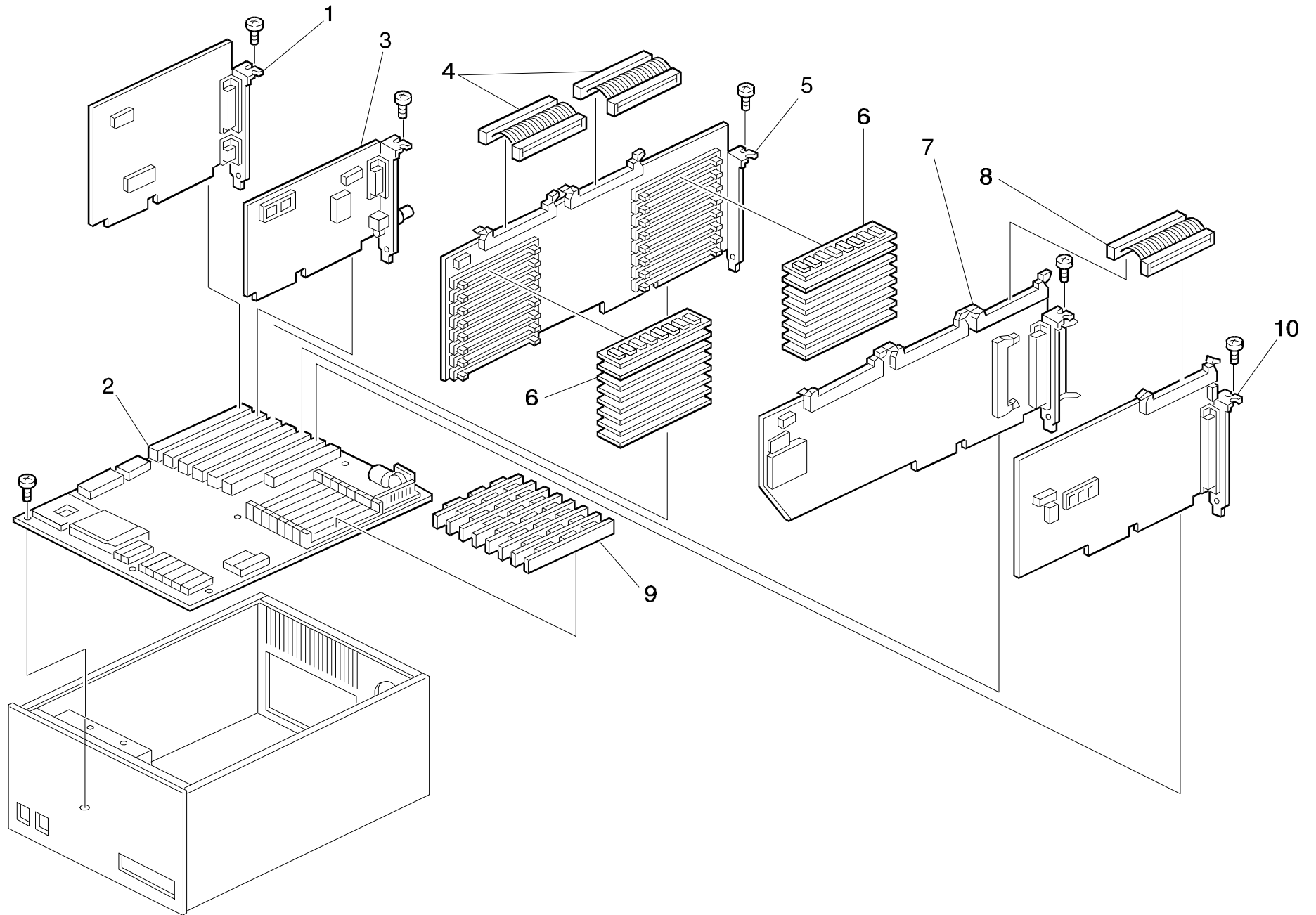
Index No.	Part No.	Description	Q'ty Per Assembly
1	A583 6002	Monitor - 14"VGA W/PCC cord	1
2	A583 6001	Keyboard	1
3	A583 6008	SCSI Cable	1
4	A583 6006	Ethernet T-connector	1
5	A583 6007	Ethernet Terminator	1
7	A583 6009	Power Supply Cord - USA	1
7	A583 6010	Power Supply Cord - Int'l	1
7	A583 6011	Power Supply Cord - UK	1
8	A583 6003	Furniture - Metal W/PKG	1
9	A583 6005	Video Interface Harness	1
11	A583 5201	Controller Interface Harness	1
12	A399 7013	Controller Interface Board	1
13	A583 5202	Fuse Harness	1
14	AW03 0020	Fiber Cable	1
15	A109 5517	IC - 128K 8BIT120NS	1
16	A109 5518	IC 128k 8BIT120NS	1
17	A399 6783	IC - 1MX8120SN	1
18	A399 6782	IC - 4MX8150SN	1
19	A399 5701	PTL Stay	1
20	A030 5243	Pre - Transfer Lamp	1
21	A399 5702	PTL Bracket	1
22	A399 5301	PTL Harness	1
23	A399 5302	PTL Relay Harness	1
24	AA14 3183	Stepped Screw	1

Index No.	Part No.	Description	Q'ty Per Assembly
101	0314 0080M	Philips Pan Head Screw - M4x8	
102	0354 0060B	Screw - M4X6	
103	0313 0080B	Philips Pan Head Screw - M3x8	
104	1105 0291	Wire Saddle	
105	1107 0752	Fuse - 5A 250V	

2. EXTERIOR 2 (A583)



3. ELECTRICAL SECTION (A583)



3. ELECTRICAL SECTION (A583)

Index No.	Part No.	Description	Q'ty Per Assembly
1	A583 6017	ATI/VGA Board	1
# 2	A583 6101	Motherboard W/O SIMMs	1
3	A583 6016	Network Board - Etherlink	1
4	A583 6108	CPU/Memory Harness	2
# 5	A583 6013	Memory Baord W/O SIMMs	1
6	A583 6014	8MB SIMM - Memory Board	8(16)
# 7	A583 6012	CPU Board	1
8	A583 6107	CPU/Video Harness	1
9	A583 6102	256k SIMM - Motherboard	8
#10	A583 6054	Video Interface Board	1
<p># Objective part for RMA (Return Materials Authorization)</p>			

Index No.	Part No.	Description	Q'ty Per Assembly

4. CONTROLLER INTERFACE BOARD (A583)

CAPACITOR

SYMBOL No.	INDEX No.
C301	132
C302	133
C303	134
C304	133
C305	133
C306	134
C307	134
C308	134
C309	134
C310	134

SYMBOL No.	INDEX No.
C311	133
C312	134
C313	133
C314	133
C315	133
C316	134
C317	134
C318	134
C319	134
C320	134

SYMBOL No.	INDEX No.
C321	133
C322	134
C323	133
C324	133
C325	133
C326	133
C327	133

CONNECTOR

SYMBOL No.	INDEX No.
CN301	108
CN302	110
CN303	111
CN304	107

DL

SYMBOL No.	INDEX No.
DL301	1

FIL

SYMBOL No.	INDEX No.
FIL301	131

IC

SYMBOL No.	INDEX No.
IC301	120
IC302	123
IC303	122
IC304	126
IC305	123
IC306	123
IC307	129
IC308	129
IC309	125
IC310	124

SYMBOL No.	INDEX No.
IC311	128
IC312	128
IC313	128
IC314	123
IC315	129
IC316	127
IC317	130
IC318	121

L

SYMBOL No.	INDEX No.
L301	135
L302	135
L303	135
L304	135
L305	135
L306	135
L307	135
L308	135
L309	135
L310	135

SYMBOL No.	INDEX No.
L311	135
L312	135
L313	135
L314	135
L315	135
L316	135
L317	135
L318	135
L319	135
L320	135

SYMBOL No.	INDEX No.
L321	135
L322	135
L323	135
L324	135
L325	135
L326	135
L327	135
L328	135
L329	135
L330	135

SYMBOL No.	INDEX No.
L331	135
L332	135
L333	135
L334	135

Q

SYMBOL No.	INDEX No.
Q301	118

RESISTOR

SYMBOL No.	INDEX No.
R301	143
R302	143
R303	142
R304	142
R305	142
R306	143
R307	143
R308	142
R309	142
R310	142

SYMBOL No.	INDEX No.
R311	142
R312	142
R313	142
R314	142
R315	142
R316	142
R317	142
R318	142
R319	142
R320	142

SYMBOL No.	INDEX No.
R321	142
R322	142
R323	142
R324	142
R325	142
R326	142
R327	142
R328	142
R329	142
R330	142

RESISTOR

SYMBOL No.	INDEX No.	SYMBOL No.	INDEX No.	SYMBOL No.	INDEX No.	SYMBOL No.	INDEX No.	SYMBOL No.	INDEX No.	SYMBOL No.	INDEX No.	SYMBOL No.	INDEX No.
R331	142	R341	142	R351	142	R361	142	R371	142	R381	143	R391	143
R332	142	R342	142	R352	142	R362	142	R372	142	R382	143	R392	142
R333	142	R343	142	R353	142	R363	142	R373	142	R383	143	R393	143
R334	142	R344	142	R354	142	R364	142	R374	142	R384	143	R394	142
R335	142	R345	142	R355	142	R365	142	R375	143	R385	143	R395	143
R336	142	R346	142	R356	142	R366	142	R376	143	R386	143	R396	143
R337	142	R347	142	R357	142	R367	142	R377	143	R387	143	R397	143
R338	142	R348	142	R358	142	R368	142	R378	143	R388	143	R398	143
R339	142	R349	142	R359	142	R369	142	R379	143	R389	143	R399	143
R340	142	R350	142	R360	142	R370	142	R380	143	R390	143	R400	143

RESISTOR

SYMBOL No.	INDEX No.	SYMBOL No.	INDEX No.	SYMBOL No.	INDEX No.
R401	143	R411	142	R421	143
R402	143	R412	142	R422	144
R403	143	R413	138	R423	144
R404	143	R414	143	R424	144
R405	143	R415	143	R425	140
R406	143	R416	141	R426	140
R407	143	R417	137	R427	140
R408	143			R428	140
R409	139	R419	143	R429	140
R410	139	R420	143	R430	140

RELAY

SINBOL No.	INDEX No.
RY301	117

ZD

SINBOL No.	INDEX No.
ZD301	119

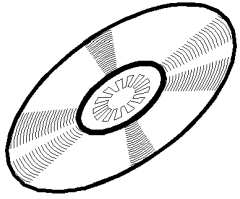
4. CONTROLLER INTERFACE BOARD (A583)

Index No.	Part No.	Description	Q'ty Per Assembly
*	A399 7013	Controller Interface Board	1
1	A399 6749	Delay Line - AT-30	1
101	1002 0135B	Jumper Wire	
102	1100 0042	Solid Strand	
103	1100 1329	Contact	
104	1100 1608	Connector - 1p	
105	1100 1669	Connector - 1p	
106	1102 1982	Socket Housing - 2P	
107	1102 5003	Connector - 2p	
108	1102 5307	Connector - 2p	
109	1102 5319	Connector - 2p	
110	1102 6569	Connector - 60p	

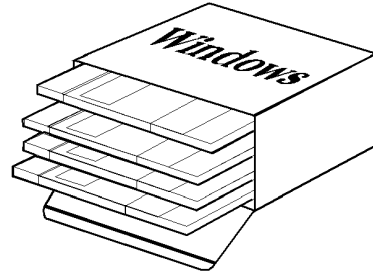
Index No.	Part No.	Description	Q'ty Per Assembly
111	1102 6689	Connector - DX10A-100SE	
112	1104 0325	Fuse Holder	
113	1105 0042	Wire Band	
114	1105 0046	Harness	
115	1105 0115	Wire Binder - KM-85	
116	1105 0291	Wire Saddle	
117	1208 1369	Relay - UPM-15505ND	
118	1400 0135	Transistor - 2SA1015-Y	
119	1402 1206	Zener Diode - HZM6.8NB2	
120	1407 1741	TTLIC - SN74LS32NS	
121	1407 1783	IC - 74LS02	
122	1407 1792	IC - SN74LS374NS	
123	1407 2147	TTLIC - 74F374SJ	
124	1407 2816	TTL - SN74ALS374NS	
125	1407 4091	IC - M66251AFP	
126	1407 4195	IC - HD74LS06FP	
127	1407 4198	IC - DM74ALS240ASJ	
128	1407 4221	IC - MB571PF	
129	1407 4226	IC - MB570PF	
130	1407 4296	IC - M51944BML	
131	1602 0918	Filter - 270pf - EMI	
132	1604 1728	Capacitor - 100 μ F 110V	
133	1606 1139	Capacitor - 0.01 μ F \pm 20%	
134	1606 1140	Capacitor - 0.1 μ F +80%-20%	
135	1607 0477	Inductor - BLM21A05	
136	1607 0534	Ferrite Core - ZCAR3035-1330	
137	1630 1121	Resistor - 120 Ω \pm 5% 1/8W	
138	1630 2470	Resistor - 47 Ω 1/8W \pm 5%	
139	1630 3102	Resistor - 1K Ω 1/10W \pm 5%	
140	1630 3103	Resistor - 10K Ω 1/10W \pm 5%	
141	1630 3222	Resistor - 2.2K Ω 1/10W \pm 5%	
142	1630 3331	Resistor - 330 Ω \pm 5% 1/10W	
143	1630 3472	Resistor - 4.7K Ω 1/10W \pm 5%	
144	1630 3682	Resistor - 6.8K Ω - 1/10W	

5. ACCESSORIES (A583)

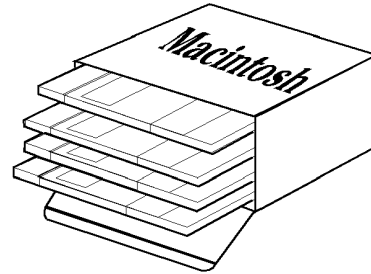
1



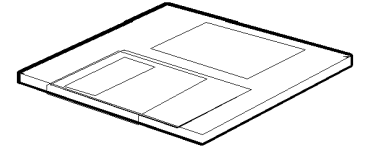
2



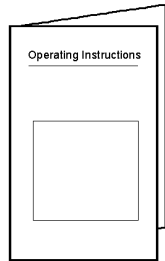
3



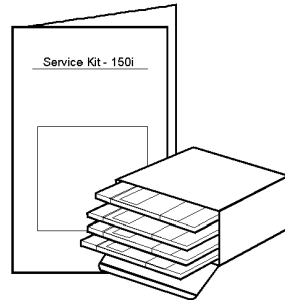
4



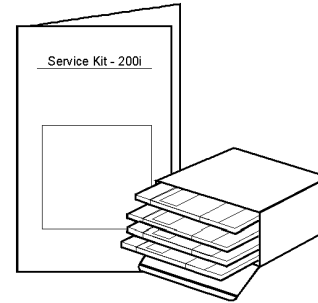
5



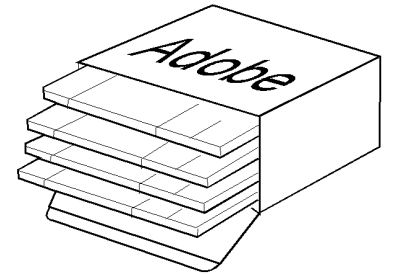
6



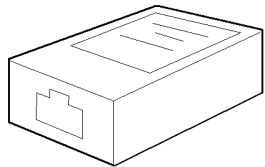
7



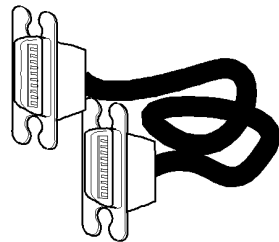
8



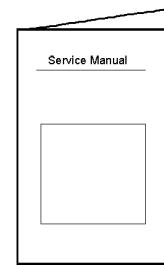
9



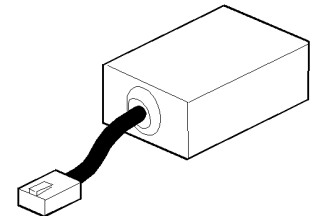
10



11



12



5. ACCESSORIES (A583)

Index No.	Part No.	Description	Q'ty Per Assembly
1	A583 6023	CD ROM - Color Solutions	
2	A583 6052	Windows Disk Pack	
3	A583 6053	Macintosh Disk Pack	
4	A583 6055	System Password Disk	
5	A583 6111	Operating Instructions- E	
6	A583 6113	Service Kit - 150i	
7	A583 6114	Service Kit - 200i	
8	A583 6136	Adobe Drivers Kit	
9	A583 6127	10 Base T Transceiver	
10	A583 6132	Centronics Cable	
11	A583 6112	Service Manual - English	
12	A583 6135	External Battery Kit (Mother Board)	

Index No.	Part No.	Description	Q'ty Per Assembly

PARTS INDEX

Part No.	Description	Page and Index No.
A583 5201	Controller Interface Harness	3- 11
A583 5202	Fuse Harness	3- 13
A583 6001	Keyboard	3- 2
A583 6002	Monitor - 14"VGA W/PCC cord	3- 1
A583 6003	Furniture - Metal W/PKG	3- 8
A583 6004	Chassis - W/PSU&Fan	5- 1
A583 6005	Video Interface Harness	3- 9
A583 6006	Ethernet T-connector	3- 4
A583 6007	Ethernet Terminator	3- 5
A583 6008	SCSI Cable	3- 3
A583 6009	Power Supply Cord - USA	3- 7
A583 6010	Power Supply Cord - Int'l	3- 7
A583 6011	Power Supply Cord -UK	3- 7
A583 6012	CPU Board	7- 7
A583 6013	Memory Baord W/O SIMMs	7- 5
A583 6014	8MB SIMM - Memory Board	7- 6
A583 6015	1.44MB FDD - 3.5"	5- 11
A583 6016	Network Board - Etherlink	7- 3
A583 6017	ATI/VGA Board	7- 1
A583 6018	Front Bezel - 150i	5- 12
A583 6019	Front Bezel - 150i Fra	5- 12
A583 6023	CD ROM - Color Solutions	11- 1
A583 6052	Windows Disk Pack	11- 2
A583 6053	Macintosh Disk Pack	11- 3
A583 6054	Video Interface Board	7- 10
A583 6055	System Password Disk	11- 4
A583 6101	Motherboard W/O SIMMs	7- 2
A583 6102	256k Simm - Motherboard	7- 9
A583 6103	Intake Fan - 12V DC	5- 3
A583 6104	Fan Filters - 6 Pack	5- 2
A583 6105	HDD Harness - 40pin	5- 8
A583 6106	FDD Harness - 34pin	5- 9
A583 6107	CPU/Video Harness	7- 8
A583 6108	CPU/Memory Harness	7- 4
A583 6109	Power "Y" Harness	5- 6

Part No.	Description	Page and Index No
A583 6110	Power Supply Unit W/Filter	5- 7
A583 6111	Operating Instructions- E	11- 5
A583 6112	Service Manual - English	11- 11
A583 6113	Service Kit - 150i	11- 6
A583 6114	Service Kit - 200i	11- 7
A583 6122	250MB Hard Disk W/O S/W	5- 10
A583 6123	540MB Hard Disk W/O S/W (Option)	5- 10
A583 6124	Front Bezel - 200i (Option)	5- 12
A583 6125	Front Bezel - 200i Fra (Option)	5- 12
A583 6126	1Gb Hard Disk - US (Option US Only)	5- 10
A583 6127	10 Base T Transceiver	11- 9
A583 6132	Centronics Cable	11- 10
A583 6133	Power Switch	5- 4
A583 6134	Reset Switch	5- 5
A583 6135	External Battery Kit (Mother Board)	11- 12
A583 6136	Adobe Drivers Kit	11- 8

Part No.	Description	Page and Index No.
AA14 3183	Stepped Screw	3- 24
AW03 0020	Fiber Cable	3- 14

Part No.	Description	Page and Index No
A030 5243	Pre - Transfer Lamp	3- 20
A109 5517	IC - 128K 8BIT120NS	3- 15
A109 5518	IC 128k 8BIT120NS	3- 16
A399 5301	PTL Harness	3- 22
A399 5302	PTL Relay Harness	3- 23
A399 5701	PTL Stay	3- 19
A399 5702	PTL Bracket	3- 21
A399 6749	Delay Line - AT-30	9- 1
A399 6782	IC - 4MX8150SN	3- 18
A399 6783	IC - 1MX8120SN	3- 17
A399 7013	Controller Interface Board	3- 12
A399 7013	Controller Interface Board	9- *

Part No.	Description	Page and Index No.
0313 0080B	Philips Pan Head Screw - M3x8	3-103
0314 0080M	Philips Pan Head Screw - M4x8	3-101
0354 0060B	Screw - M4X6	3-102
1002 0135B	Jumper Wire	9-101
1100 0042	Solid Strand	9-102
1100 1329	Contact	9-103
1100 1608	Connector - 1p	9-104
1100 1669	Connector - 1p	9-105
1102 1982	Socket Housing - 2P	9-106
1102 5003	Connector - 2p	9-107
1102 5307	Connector - 2p	9-108
1102 5319	Connector - 2p	9-109
1102 6569	Connector - 60p	9-110
1102 6689	Connector - DX10A-100SE	9-111
1104 0325	Fuse Holder	9-112
1105 0042	Wire Band	9-113
1105 0046	Harness	9-114
1105 0115	Wire Binder - KM-85	9-115
1105 0291	Wire Saddle	3-104
1105 0291	Wire Saddle	9-116
1107 0752	Fuse - 5A 250V	3-105
1208 1369	Relay - UPM-15505ND	9-117
1400 0135	Transistor - 2SA1015-Y	9-118
1402 1206	Zener Diode - HZM6.8NB2	9-119
1407 1741	TTLIC - SN74LS32NS	9-120
1407 1783	IC - 74LS02	9-121
1407 1792	IC - SN74LS374NS	9-122
1407 2147	TTLIC - 74F374SJ	9-123
1407 2816	TTL - SN74ALS374NS	9-124
1407 4091	IC - M66251AFP	9-125
1407 4195	IC - HD74LS06FP	9-126
1407 4198	IC - DM74ALS240ASJ	9-127
1407 4221	IC - MB571PF	9-128
1407 4226	IC - MB570PF	9-129
1407 4296	IC - M51944BML	9-130

Part No.	Description	Page and Index No
1602 0918	Filter - 270pf - EMI	9-131
1604 1728	Capacitor - 100 μ F 110V	9-132
1606 1139	Capacitor - 0.01 μ F \pm 20%	9-133
1606 1140	Capacitor - 0.1 μ F +80%-20%	9-134
1607 0477	Inductor - BLM21A05	9-135
1607 0534	Ferrite Core - ZCAR3035-1330	9-136
1630 1121	Resistor - 120 Ω \pm 5% 1/8W	9-137
1630 2470	Resistor - 47 Ω 1/8W \pm 5%	9-138
1630 3102	Resistor - 1K Ω 1/10W \pm 5%	9-139
1630 3103	Resistor - 10K Ω 1/10W \pm 5%	9-140
1630 3222	Resistor - 2.2K Ω 1/10W \pm 5%	9-141
1630 3331	Resistor - 330 Ω \pm 5% 1/10W	9-142
1630 3472	Resistor - 4.7K Ω 1/10W \pm 5%	9-143
1630 3682	Resistor - 6.8K Ω - 1/10W	9-144

PRINTED IN JAPAN
SS (英) 94 1030 0950 (S)